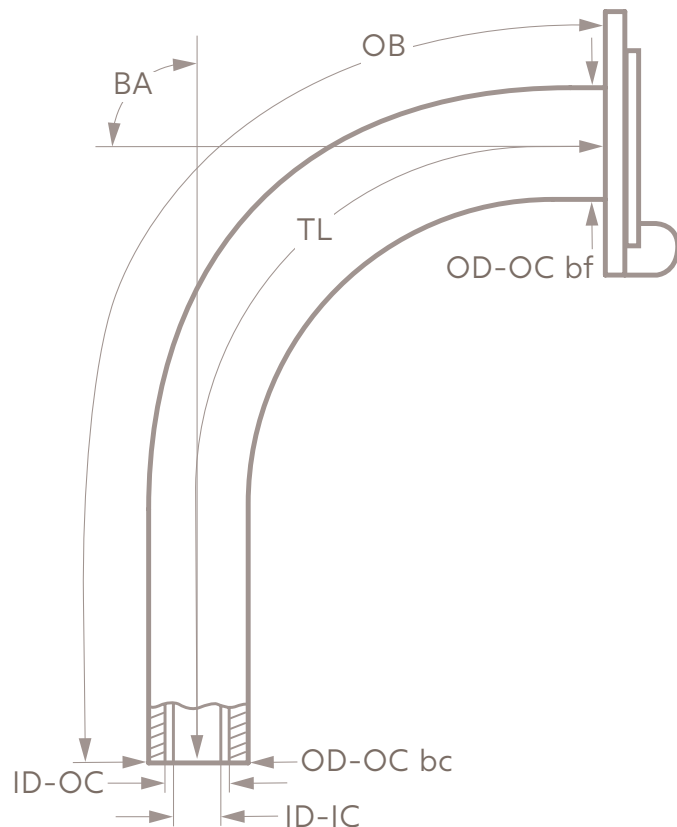


Technical Data

Tracoe Comfort XL



Size	ID-OC	OD-OC bc	OD-OC bf	ID-IC	TL	OB	BA
mm	mm	mm	mm	mm	mm	mm	°
05	5.0	6.6	9.0	4.0	85	92	90
06	6.0	7.7	9.8	5.0	87	95	90
07	7.0	8.7	10.5	6.0	93	100	90
08	8.0	10.5	12.2	6.7	96	105	90
09	9.0	11.5	13.0	7.5	100	110	90
10	10.0	12.5	14.5	8.8	104	115	90
11	11.0	13.5	15.5	9.2	108	120	90
12	12.0	14.4	16.4	10.0	112	125	90
13	13.0	15.4	18.0	11.8	116	130	90
14	14.0	16.4	18.2	12.6	122	135	90

ID-OC: inner diameter (clear width) at bottom of outer cannula;
OD-OC bc: outer diameter at bottom of outer cannula; **OD-OC bf:** outer diameter of outer cannula behind the flange; **ID-IC:** inner diameter at bottom of inner cannula; **TL:** length along center line from start of neck flange to bottom of tube; **OB:** length along outer bend (greatest length); **BA:** bending angle

Please be aware when switching a patient from another tube type in a certain size to one of the Tracoe Comfort tubes, the outer and inner diameter should be considered.

Head office:
 Atos Medical AB
 Hyllie Boulevard 17
 SE-215 32 Malmö, Sweden
 Tel: +46 (0) 415 198 00
 Email: info@atosmedical.com

Manufacturer:
 Tracoe Medical GmbH
 Reichelsheimer Straße 1/3
 55268 Nieder-Olm, Germany

MC3048-TcEN 202306

© Coloplast A/S. All rights reserved.
 Atos and the Atos Medical logo are trademarks of Coloplast A/S.